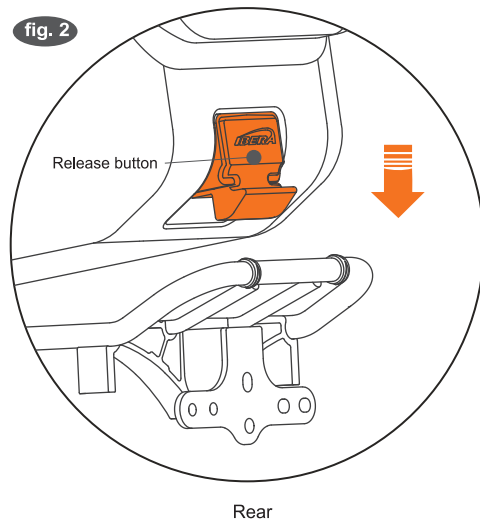
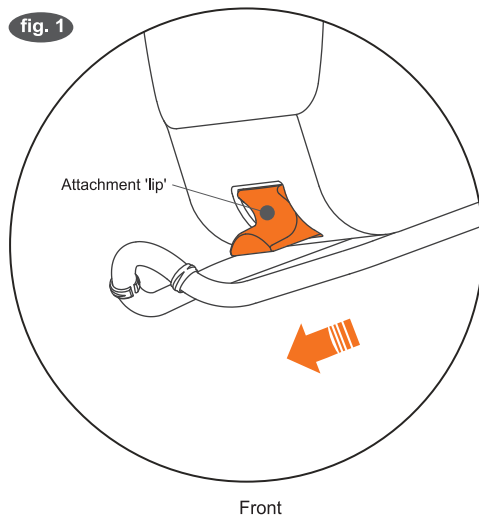




PakRak bags use a clip-on mechanism with a release button.
Compatible with PakRak commuter and touring carriers.

Mounting & Detaching Bag

1. To attach PakRak bag to a PakRak carrier, align attachment 'lip' on front of bag with rounded arch on front of carrier (see fig. 1).
2. Lock bag onto carrier by pushing down on rear of bag, while pressing in rear button.
3. To detach bag, press release button, and lift carrier off (see fig. 2).



Carrier Compatibility

PakRak Bags	PakRak Carriers
IB-BA1, IB-BA3, IB-BA11, IB-BA15	Touring IB-RA2, IB-RA3, IB-RA4, IB-RA5, IB-RA15, IB-RA16. Commuter IB-RA1, IB-RA11.
IB-BA2, IB-BA14	Touring IB-RA2, IB-RA3, IB-RA4, IB-RA5, IB-RA15, IB-RA16.
IB-BA6, IB-BA12.	Mini Commuter IB-RA6.

Warning

1. PakRak bags are incompatible with non-PakRak carriers.
2. Always make sure bag is attached securely before using.
3. Do not use for off-road riding.
4. Detach shoulder strap when riding.

警告 (繁體中文) 1、此扣具系統只可搭配IBERA品牌的系列貨架使用，無法與其他品牌的貨架搭配 2、使用前需確認包包有確實鎖扣於貨架上 3、本產品不可使用於越野騎行 4、騎行時請將肩帶收入包包內

警告 (簡體中文) 1、此扣具系統只可搭配IBERA品牌的系列貨架使用，無法與其他品牌的貨架搭配 2、使用前需確認包包有確實鎖扣於貨架上 3、本產品不可使用於越野騎行 4、騎行時請將肩帶收入包包內

Limited Warranty

Ibera warrants this product for normal usage against workmanship, and material defects to the original purchaser for two year from purchase date. Products purchased online are not covered by this warranty unless purchased from an authorised Ibera online store. 1. User assumes all risk of personal injury, damage to or failure of the product when it is used in jumping, acrobatics or similar activities. 2. Warranty does not cover any incidental or consequential damages, such as personal injury or other losses due to accident, neglect, misuse, abuse, modification, normal wear and tear, improper care and cleaning, or failure to follow included instructions.

Ibera Co. Ltd.
Specifications subject to change without notice.
Ibera is a trademark of Ibera Co. Ltd. All other trademarks are property of their respective owners. Copyright 2016 Ibera Co. Ltd.
Made in Taiwan. Artwork: 05-2016.