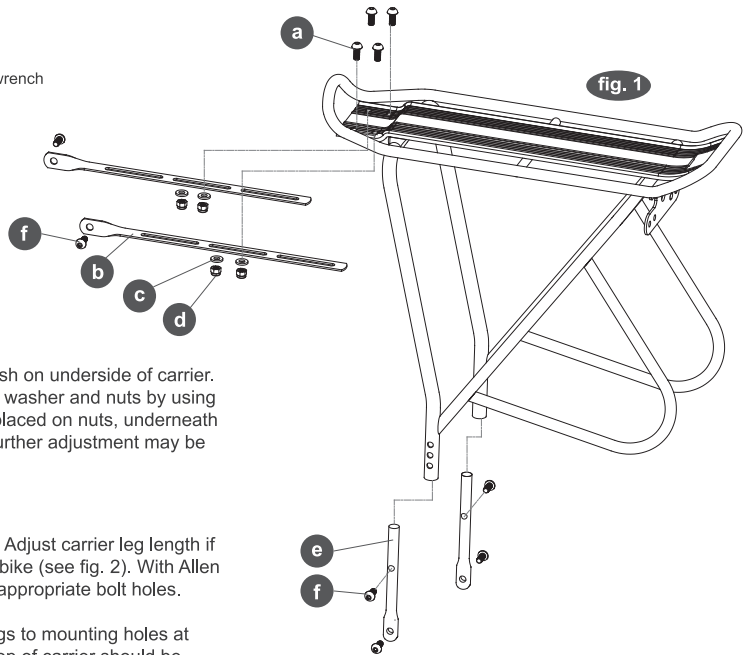


Tools Required: 4 mm Allen key, 8 mm open-end wrench

Supplied Parts

- a | Flat head bolts x 4
- b | Mounting arms x 2 (length adjustable)
- c | Washers x 4
- d | Nuts x 4
- e | Mounting legs x 2
- f | Round head bolts x 6

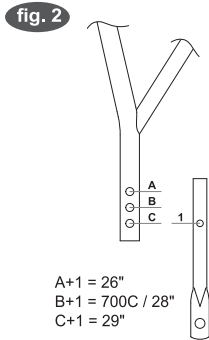


ASSEMBLE ARMS TO CARRIER

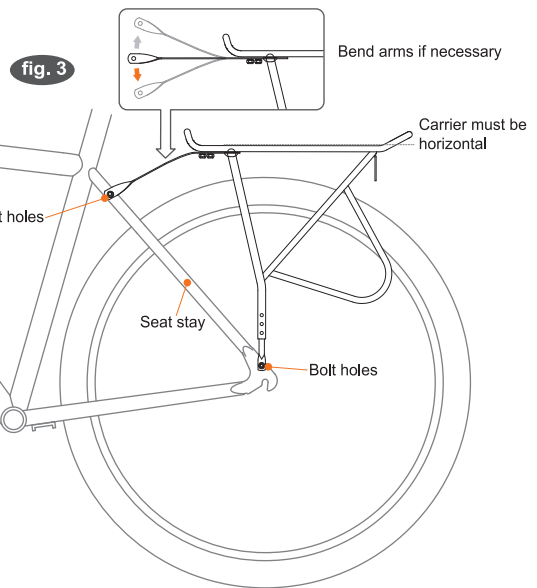
Place arms—marked 'L' (left), and 'R' (right)—flush on underside of carrier. Align with bolt holes. Assemble flat head bolts, washer and nuts by using Allen key and wrench in unison (washers are placed on nuts, underneath the carrier. Tighten bolts but not too firmly as further adjustment may be necessary.

ASSEMBLE CARRIER TO BIKE

1. Lightly grease bolts before mounting carrier. Adjust carrier leg length if necessary according to the wheel size of your bike (see fig. 2). With Allen key, undo and remove bolt. Slide legs to align appropriate bolt holes. Replace and retighten Allen bolts.
2. Place carrier over rear wheel. Bolt carrier legs to mounting holes at bottom of seat stays, but do not fully tighten. Top of carrier should be horizontal, and have adequate clearance over wheel (see fig. 3).
3. Adjust length of mounting arms: loosen arm bolts if necessary. Align arms with mounting holes at top of seat stays, tighten arm bolts. Bend arms if necessary (see fig. 3).
4. Bolt carrier arms to seat stays, tighten well.
5. Tighten carrier leg bolts.



Adjust carrier leg length.



Warning

1. Max. load 25 kg (55 lb).
2. Do not carry people on carrier.
3. Ensure all bolts are tight before each use.
4. Ensure PakRak or other bags are securely attached to carrier before using.

- 警告 (繁體中文) 1、本產品不可以載人 2、本產品最大載重25公斤(55磅) 3、每次使用前請確認所有的螺絲必須鎖緊 4、本產品配合包包使用時請注意包包需牢固組裝在上面。
- 警告 (簡體中文) 1、本產品不可以載人 2、本產品最大載重25公斤(55磅) 3、每次使用前請確認所有的螺絲必須鎖緊 4、本產品配合包包使用時請注意包包需牢固組裝在上面。

Limited Warranty

Ibera warrants this product for normal usage against workmanship, and material defects to the original purchaser for two year from purchase date. Products purchased online are not covered by this warranty unless purchased from an authorised Ibera online store. 1. User assumes all risk of personal injury, damage to or failure of the product when it is used in jumping, acrobatics or similar activities. 2. Warranty does not cover any incidental or consequential damages, such as personal injury or other losses due to accident, neglect, misuse, abuse, modification, normal wear and tear, improper care and cleaning, or failure to follow included instructions.

See other Ibera products at www.ibera.info

Ibera Co. Ltd.
Specifications subject to change without notice. Ibera is a trademark of Ibera Co. Ltd. All other trademarks are property of their respective owners. Copyright 2016 Ibera Co. Ltd. Made in Taiwan.
Artwork: 5-2016.