

Instructions

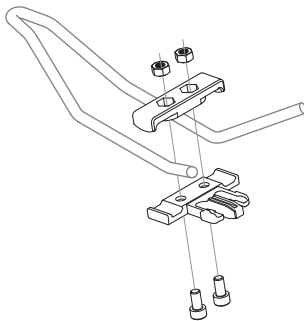
Tools required: 4 mm Allen key

PREPARATION

Separate clamp from bag (and packaging) by pressing latch. With Allen key, undo one Allen bolt. Loosen second bolt but do not undo completely.

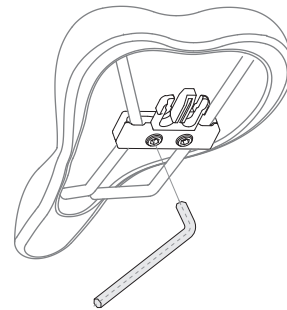
Install Mount

1



Fix clamp onto rails on rear underside of bike saddle. Manipulate top piece of clamp to fit over the rails (it may be necessary to undo both bolts to get clamp on). Mount should face rear of bike; bolt heads should face down.

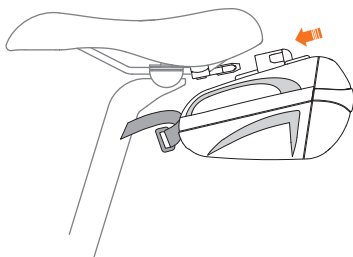
2



Once clamp is aligned, tighten bolts firmly.

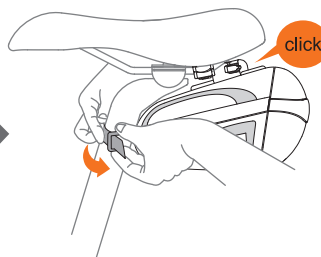
Attach Bag

3



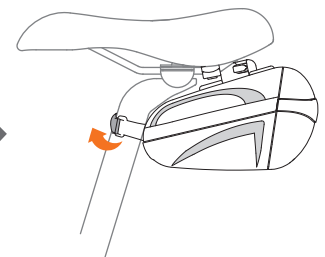
With narrow end of bag facing front of bike, slide mount recess onto mount until it locks. When bag is attached correctly, there should be a distinctive 'click' sound. Adjust the position of clamp on rails if necessary.

4



Wrap Velcro strap on front of bag around seatpost.

5



Attached bag.

Attention For waterproof seat bags, see other side of this sheet for further instructions.

Limited Warranty

Ibera warrants this product for normal usage against workmanship, and material defects to the original purchaser for two year from purchase date. Products purchased online are not covered by this warranty unless purchased from an authorised Ibera online store. 1. User assumes all risk of personal injury, damage to or failure of the product when it is used in jumping, acrobatics or similar activities. 2. Warranty does not cover any incidental or consequential damages, such as personal injury or other losses due to accident, neglect, misuse, abuse, modification, normal wear and tear, improper care and cleaning, or failure to follow included instructions.

See other Ibera products at www.ibera.info

Ibera Co. Ltd.

Specifications subject to change without notice. Ibera is a trademark of Ibera Co. Ltd. All other trademarks are property of their respective owners. Copyright 2016 Ibera Co. Ltd. Made in Taiwan. Artwork: 5-2016.